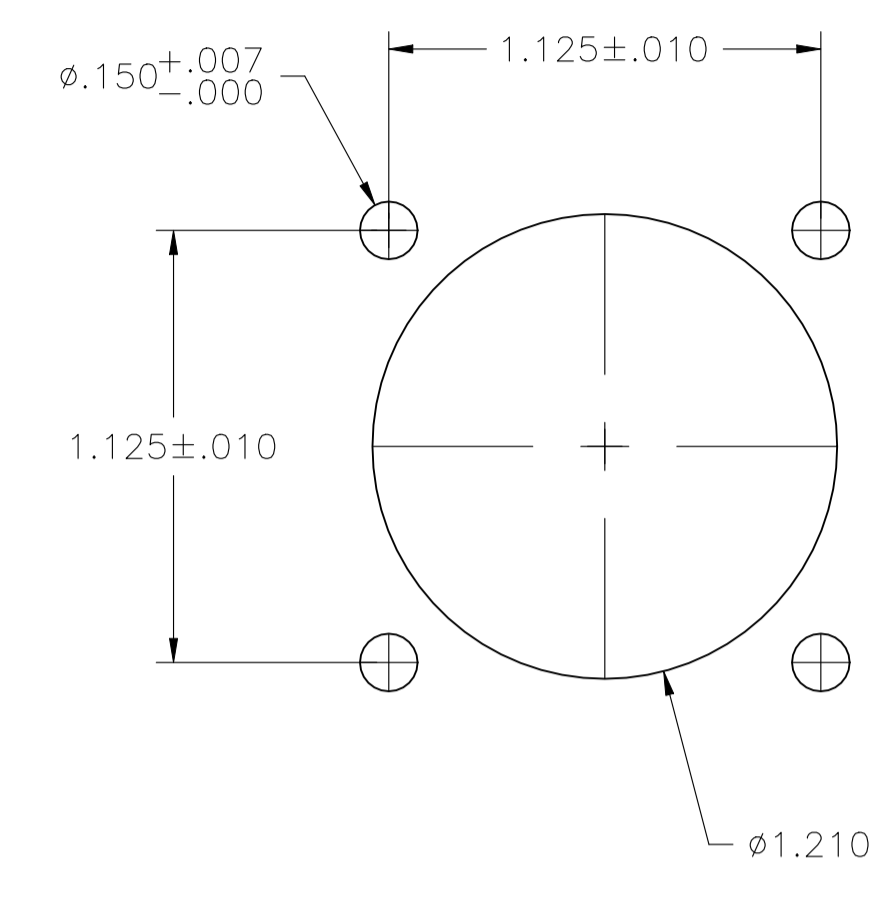
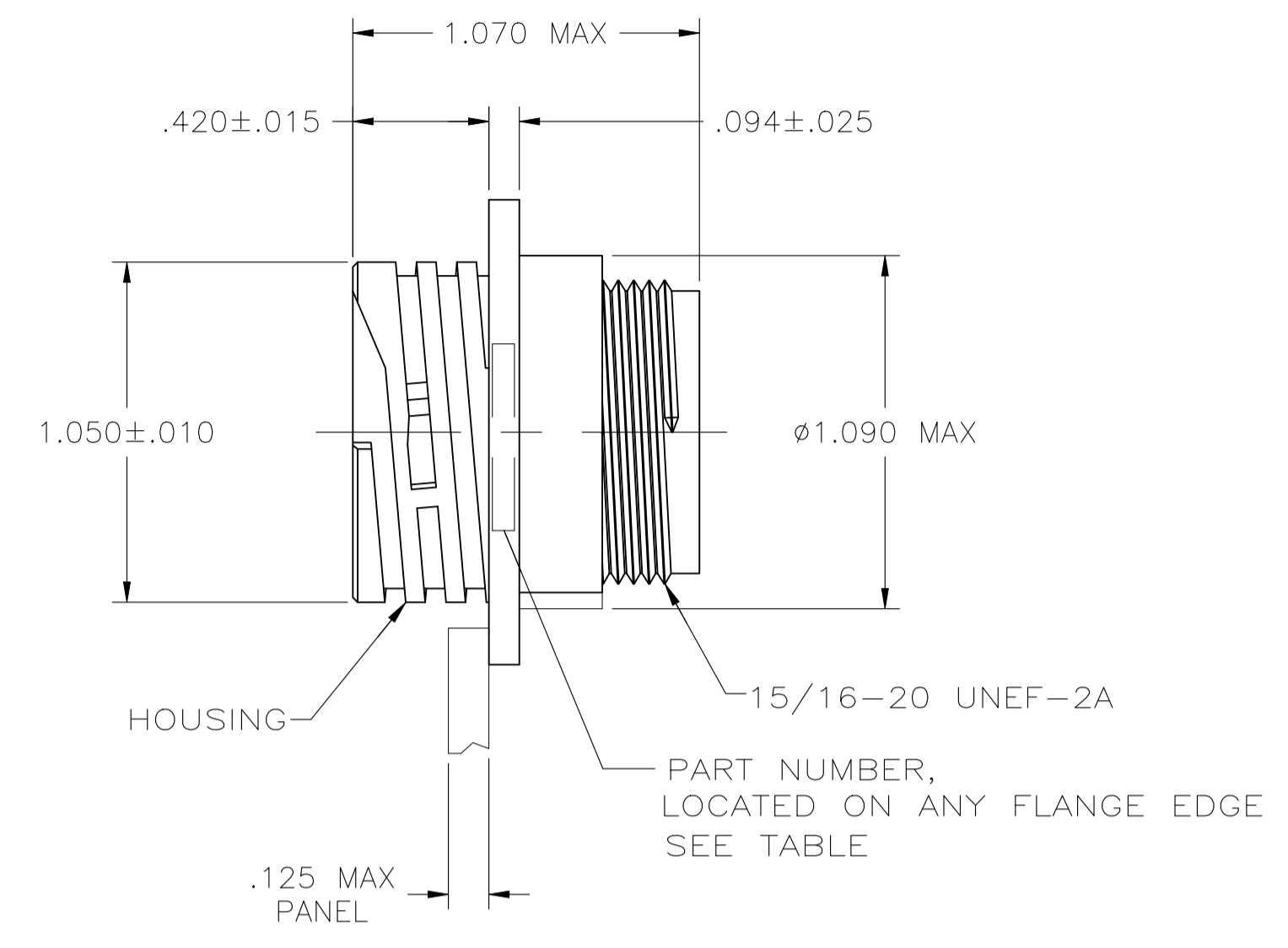
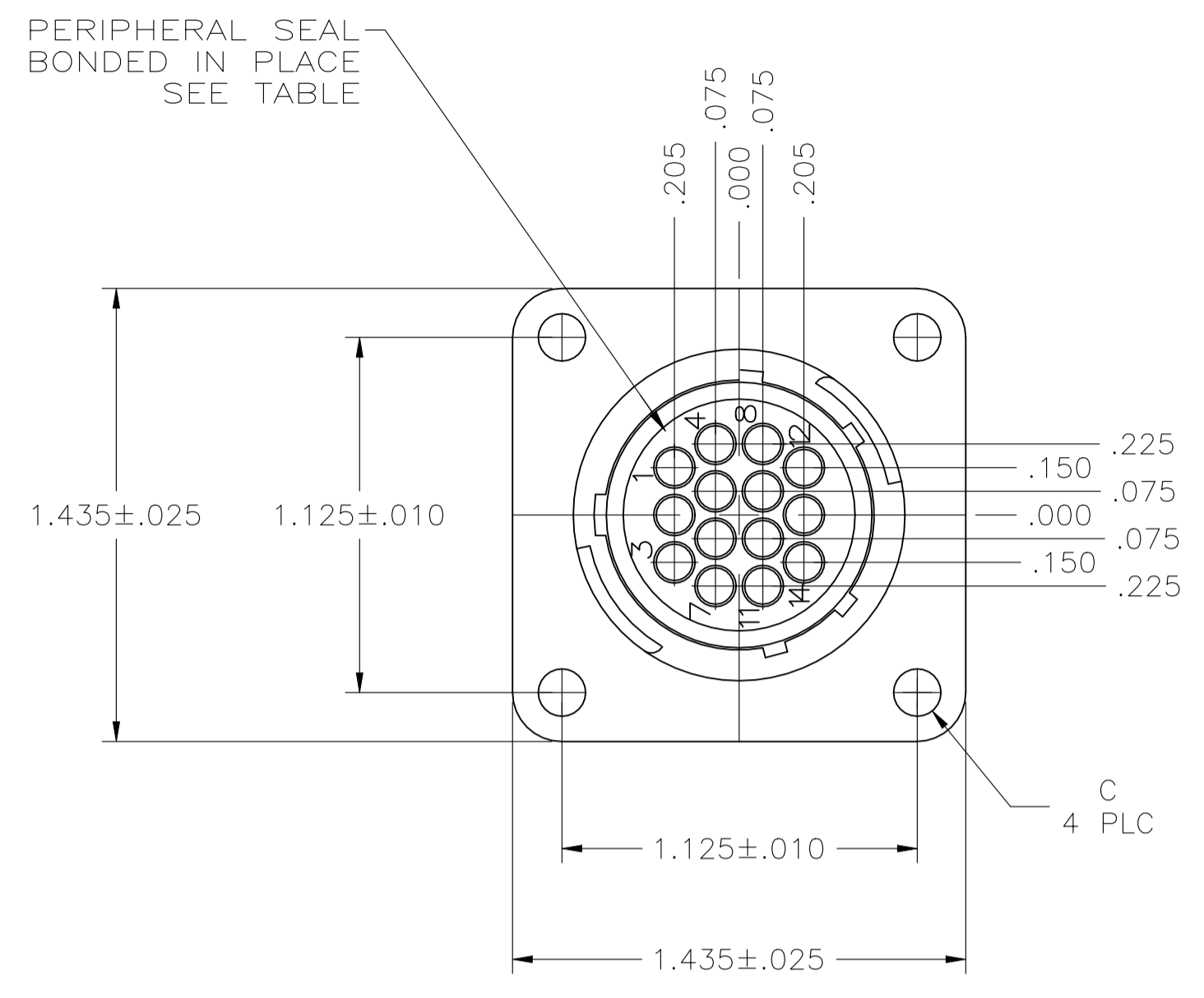
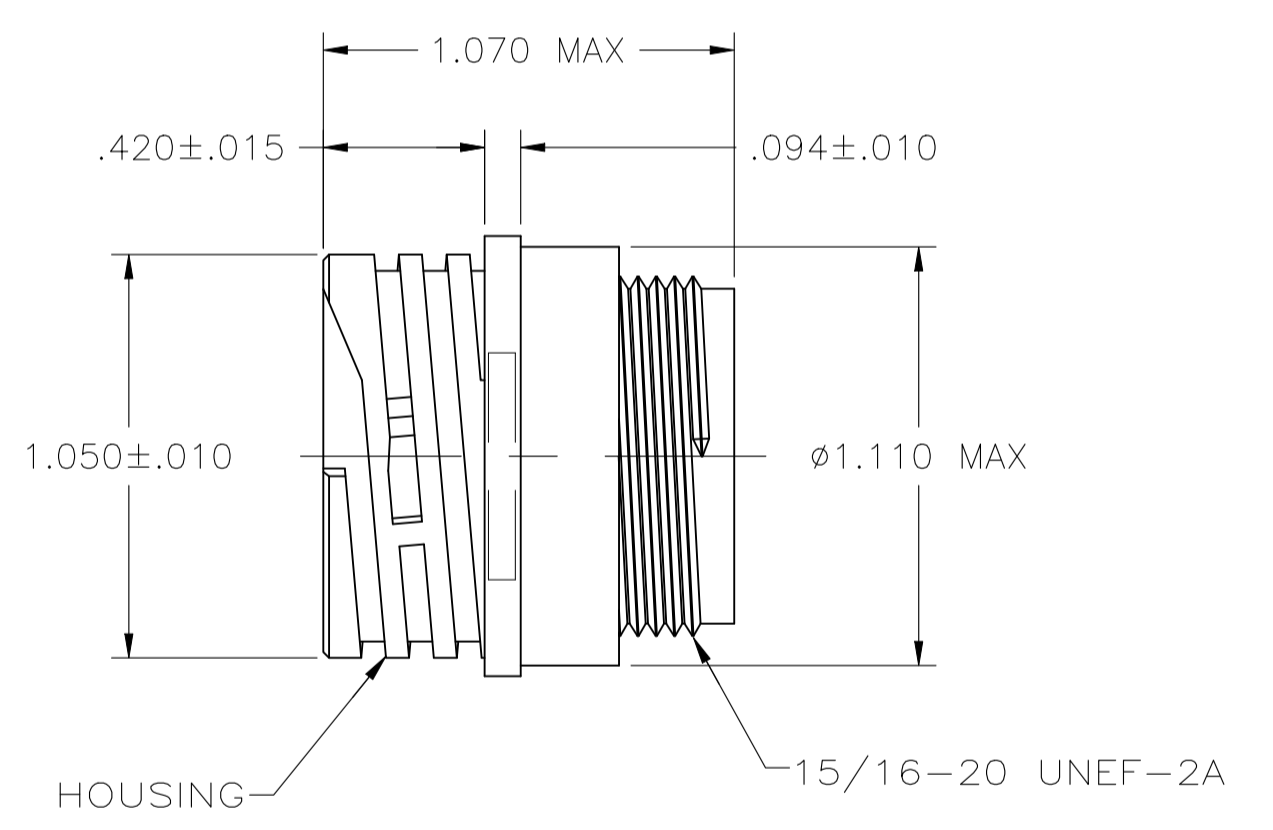
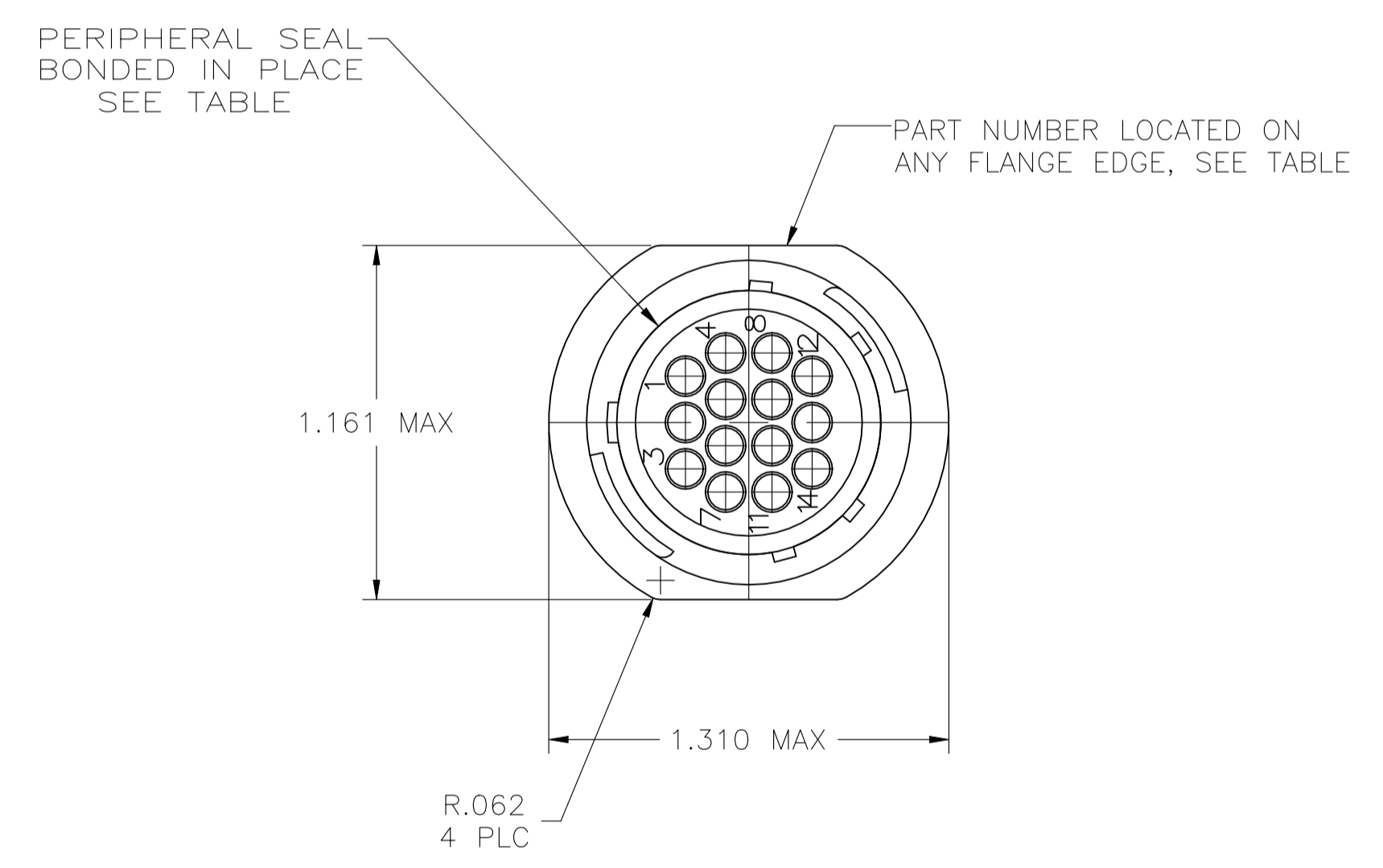


REVISIONS					
P	LTR	DESCRIPTION	DATE	DWN	APVD
U		REVISED PER ECO-21-006948	27OCT2021	RK	MZ



DETAIL A

RECOMMENDED PANEL CUTOUT



DETAIL B

- 1 CAVITY IDENTIFICATION ON FRONT AND REAR FACE.
- 2 WILL ACCEPT FOURTEEN (14) MULTIMATE SOCKET CONTACTS.

DESCRIPTION	QTY	UNIT	STANDARD	REVISION	DATE	BY	APP'D
OBSOLETE 4-40 THREADED INSERTS	-	-	STANDARD	YES	A		206043-8
OBSOLETE Ø.150	-	-	SMALL PACK	NO	A		206043-6
-	206043-5	-	STANDARD	YES	B		206043-5
Ø.150	206043-4	206043-1	STANDARD	YES	A		206043-4
-	-	-	STANDARD	NO	B		206043-3
Ø.150	-	206043-1	STANDARD	NO	A		206043-1
DIM C	LASER MARKED OR INK STAMPED PART NUMBER	MOLDED PART NUMBER	PACKAGING	PERIPHERAL SEAL	SEE DETAIL		PART NO.

THIS DRAWING IS A CONTROLLED DOCUMENT.

DIMENSIONS: INCHES	TOLERANCES UNLESS OTHERWISE SPECIFIED:	DIN W. LENKER 09/10/92	APVD R. STONE 08/11/93	NAME
0 PLC ± -	1 PLC ± -	2 PLC ± 0.13 [.005]	3 PLC ± -	4 PLC ± -
ANGLES ± -				
MATERIAL HOUSING: NYLON BLACK	FINISH -	SIZE A1	WEIGHT -	RECEIPTABLE ASSEMBLY, REVERSE SEX, SERIES 1, 17-14, CPC
		CAGE CODE 00779	DRAWING NO. 206043	RESTRICTED TO
		CUSTOMER DRAWING	SCALE 2:1	SHEET 1 OF 1 REV U