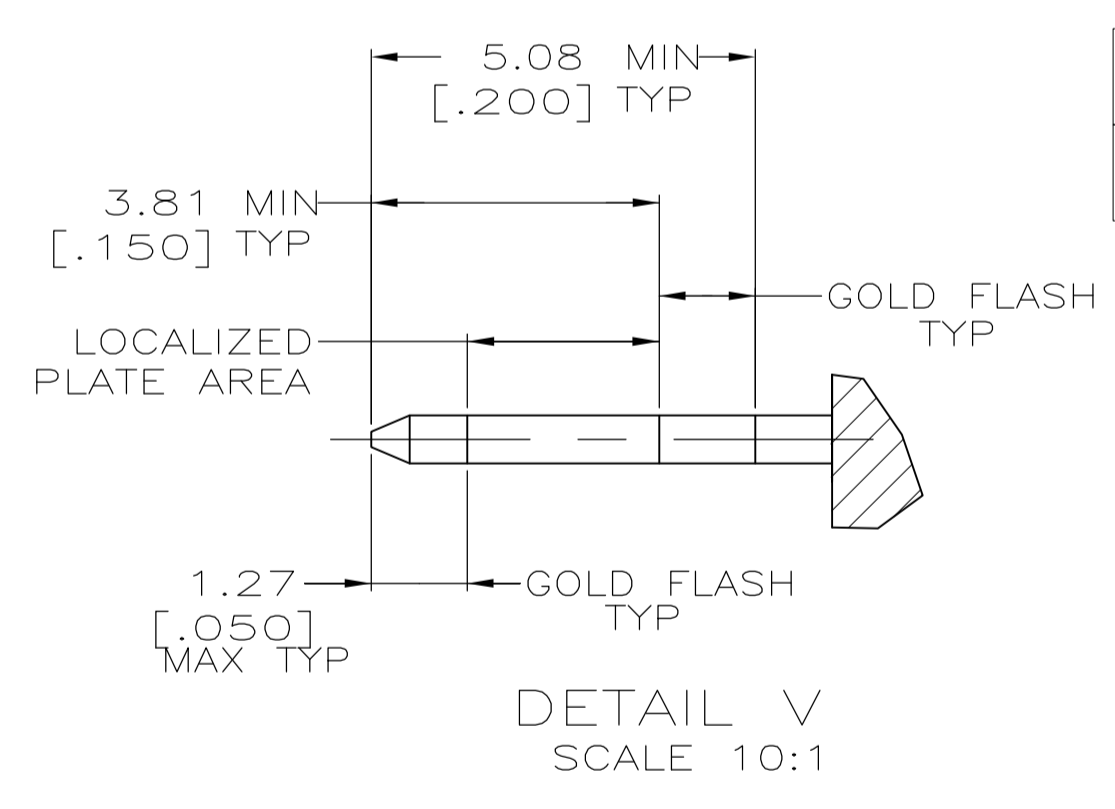
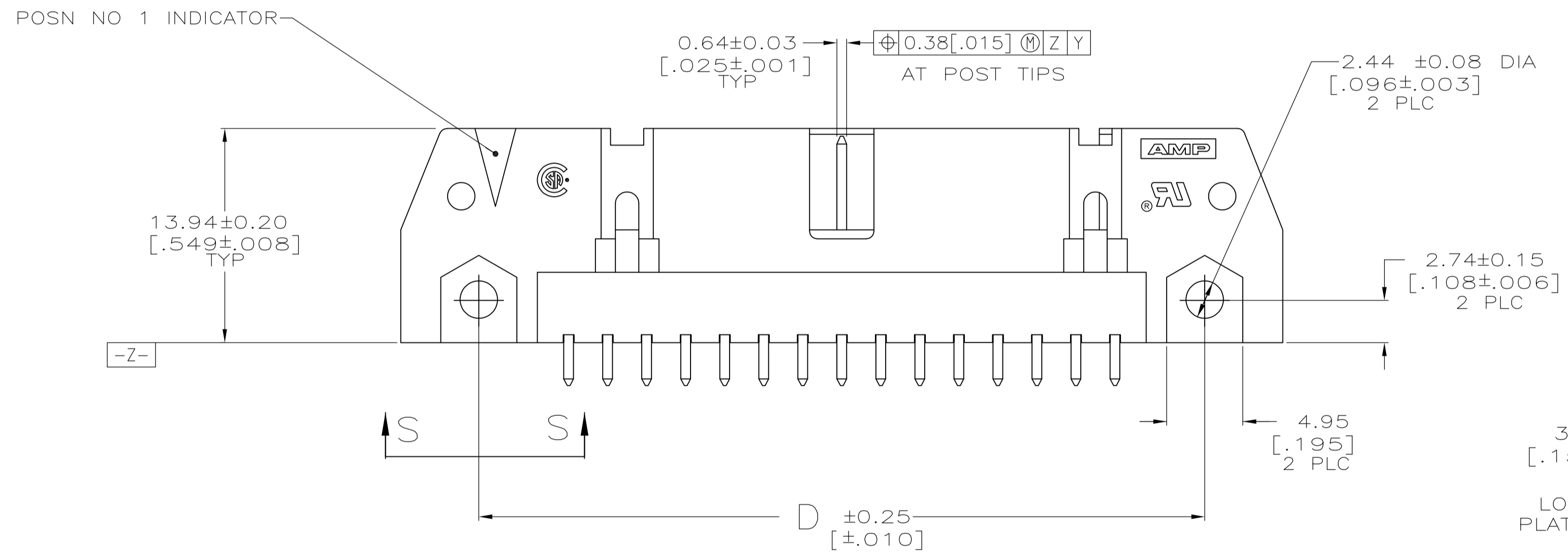
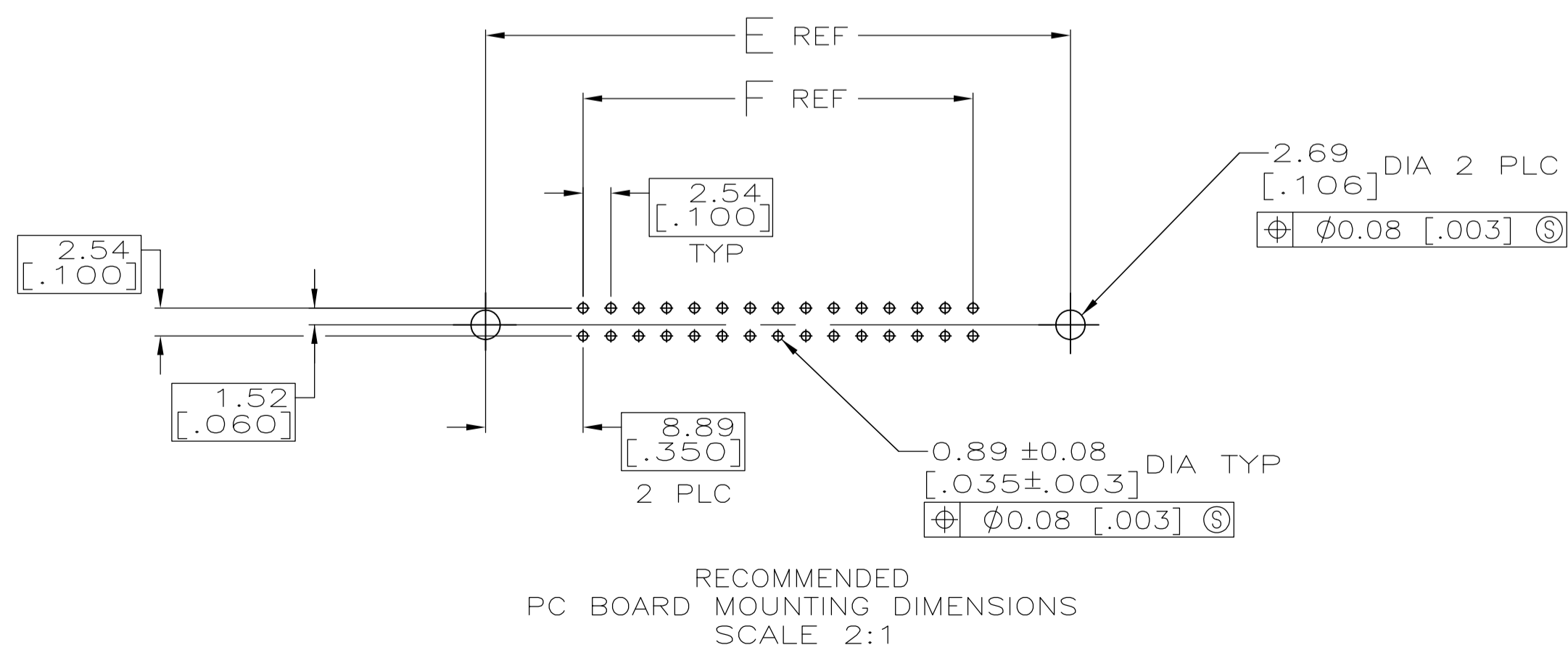
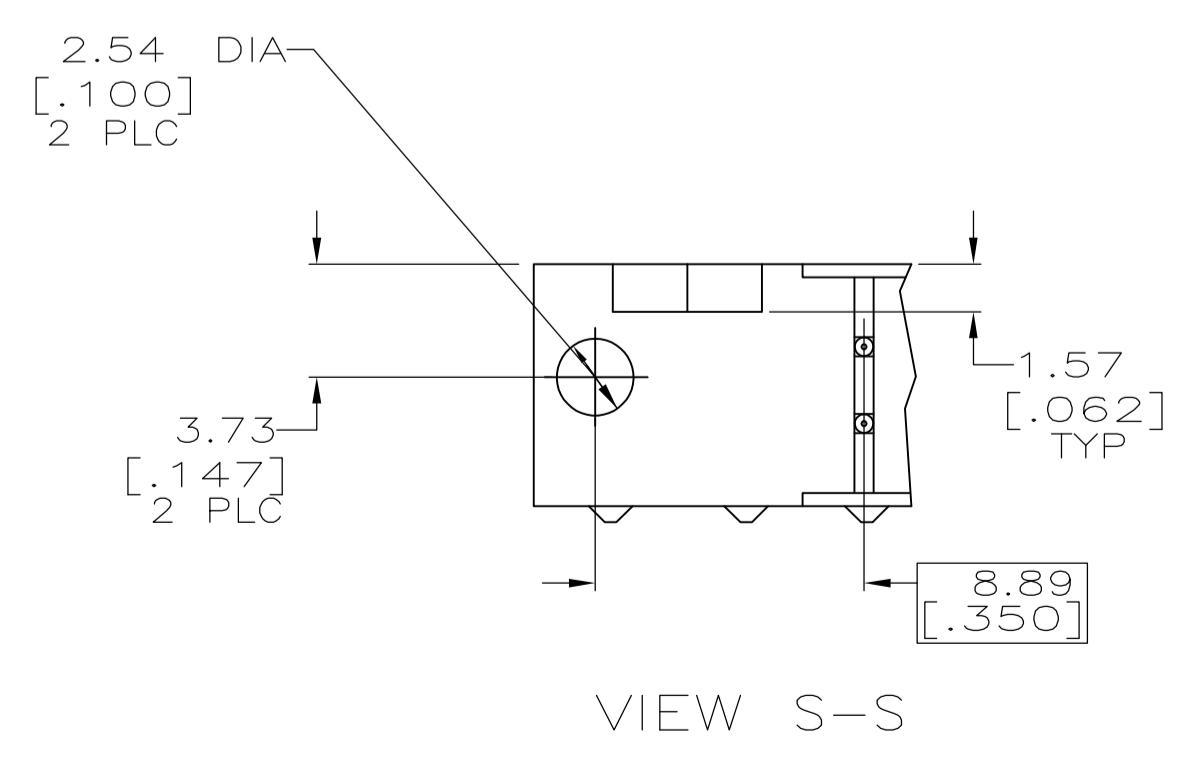


- △ COORDINATE DIMENSION APPLIES FROM BASIC LOCATION.
- △ 8, 10 AND 14 POSITION SIZES CONTAIN ONLY ONE SLOT FOR SNAP-IN POLARIZER (MILITARY POLARIZATION) LOCATED AS SHOWN.
- △ 8 AND 10 POSITION SIZES CONTAIN ONLY ONE SLOT FOR DUAL POLARIZATION, LOCATED AS SHOWN.
- 4. RECOMMENDED PRINTED CIRCUIT BOARD THICKNESS IS 1.57 [.062].
- △ POSTS: GOLD FLASH OVER PALLADIUM-NICKEL PLATE, 0.76µm [.000030] MIN TOTAL ON THE LOCALIZED PLATE AREA, 2.54µm [.000100] MIN TIN-LEAD PLATE ON THE SOLDER-TAILS, 1.27µm [.000050] MIN NICKEL UNDERPLATE ON THE ENTIRE POST. -OR- 0.76µm [.000030] MIN GOLD PLATE ON THE LOCALIZED PLATE AREA, 2.54µm [.000100] MIN TIN-LEAD PLATE ON THE SOLDER-TAILS, 1.27µm [.000050] MIN NICKEL UNDERPLATE ON THE ENTIRE POST.



OBSOLETE	7.62 [.300]	25.40 [1.000]	19.30 [.760]	29.46 [1.160]	25.40 [1.000]	15.24 [.600]	8	1-102154-4
OBSOLETE	53.34 [2.100]	71.12 [2.800]	65.02 [2.560]	75.18 [2.960]	71.12 [2.800]	60.96 [2.400]	44	1-102154-3
	78.74 [3.100]	96.52 [3.800]	90.42 [3.560]	100.58 [3.960]	96.52 [3.800]	86.36 [3.400]	64	1-102154-2
	73.66 [2.900]	91.44 [3.600]	85.34 [3.360]	95.50 [3.760]	91.44 [3.600]	81.28 [3.200]	60	1-102154-1
	60.96 [2.400]	78.74 [3.100]	72.64 [2.860]	82.80 [3.260]	78.74 [3.100]	68.58 [2.700]	50	1-102154-0
	48.26 [1.900]	66.04 [2.600]	59.94 [2.360]	70.10 [2.760]	66.04 [2.600]	55.88 [2.200]	40	102154-9
	40.64 [1.600]	58.42 [2.300]	52.32 [2.060]	62.48 [2.460]	58.42 [2.300]	48.26 [1.900]	34	102154-8
	35.56 [1.400]	53.34 [2.100]	47.24 [1.860]	57.40 [2.260]	53.34 [2.100]	43.18 [1.700]	30	102154-7
	30.48 [1.200]	48.26 [1.900]	42.16 [1.660]	52.32 [2.060]	48.26 [1.900]	38.10 [1.500]	26	102154-6
	27.94 [1.100]	45.72 [1.800]	39.62 [1.560]	49.78 [1.960]	45.72 [1.800]	35.56 [1.400]	24	102154-5
	22.86 [.900]	40.64 [1.600]	34.54 [1.360]	44.70 [1.760]	40.64 [1.600]	30.48 [1.200]	20	102154-4
	17.78 [.700]	35.56 [1.400]	29.46 [1.160]	39.62 [1.560]	35.56 [1.400]	25.40 [1.000]	16	102154-3
	15.24 [.600]	33.02 [1.300]	26.92 [1.060]	37.08 [1.460]	33.02 [1.300]	22.86 [.900]	14	102154-2
	10.16 [.400]	27.94 [1.100]	21.84 [.860]	32.00 [1.260]	27.94 [1.100]	17.78 [.700]	10	102154-1
	F	E	D	C	B	A	NO OF POSN	PART NUMBER



THIS DRAWING IS A CONTROLLED DOCUMENT.

DIMENSIONS: INCHES	TOLERANCES UNLESS OTHERWISE SPECIFIED:	DIN H. MOLL 4-23-90	STE TE Connectivity
0 PLC ± -	1 PLC ± -	11-28-90	
2 PLC ± 0.13[.005]	3 PLC ± -	11-29-90	
4 PLC ± -	ANGLES ± -	NAME	HEADER ASSY, UNIVERSAL, AMP-LATCH
MATERIAL: HOUSING: GLASS FILLED NYLON OR POLYESTER; 80V-0 RATED; BLACK POSTS: PHOS BRONZE	FINISH: △	PRODUCT SPEC	108-40018
		APPLICATION SPEC	
		SIZE	A1
		WEIGHT	00779
		DRAWING NO	102154
		RESTRICTED TO	
		CUSTOMER DRAWING	SCALE 4:1 SHEET 1 OF 1 REV M1