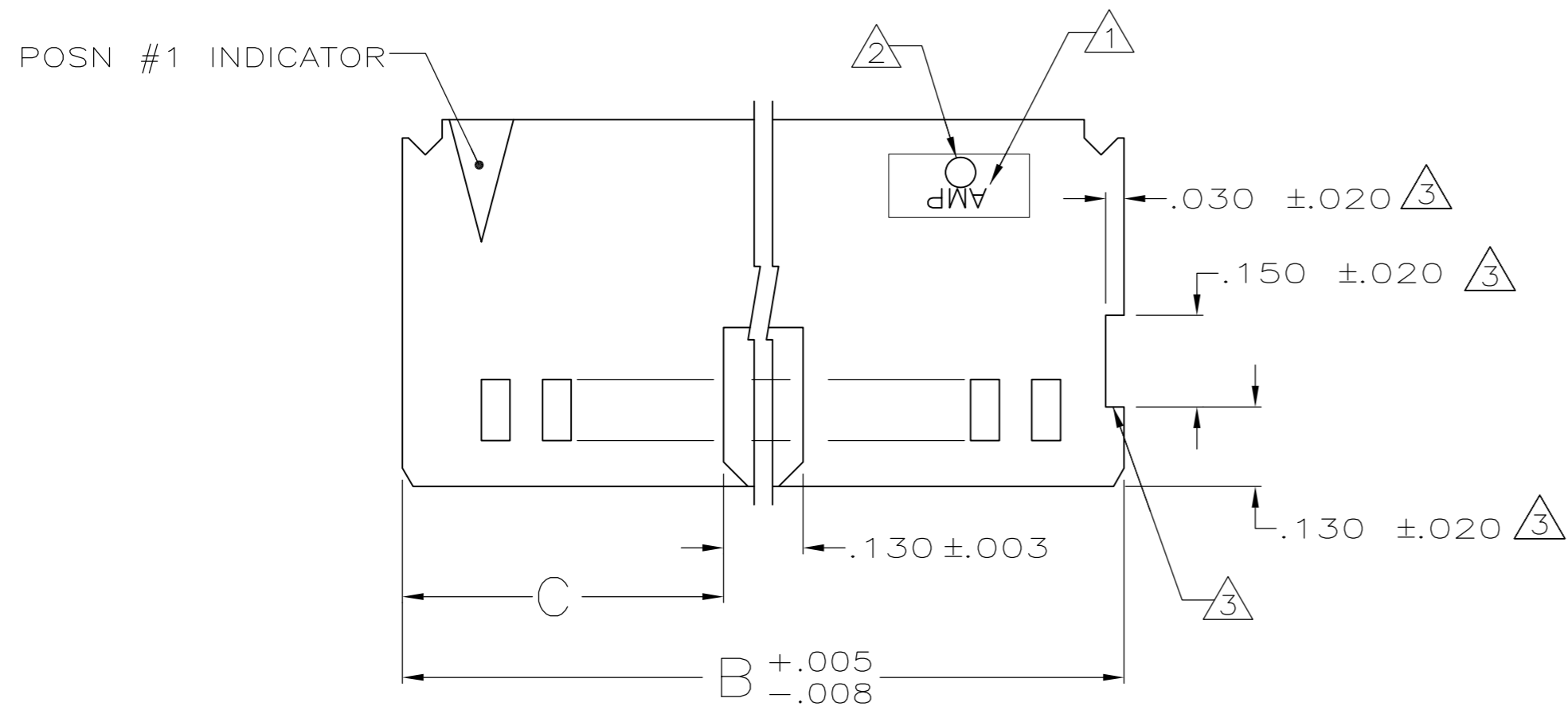
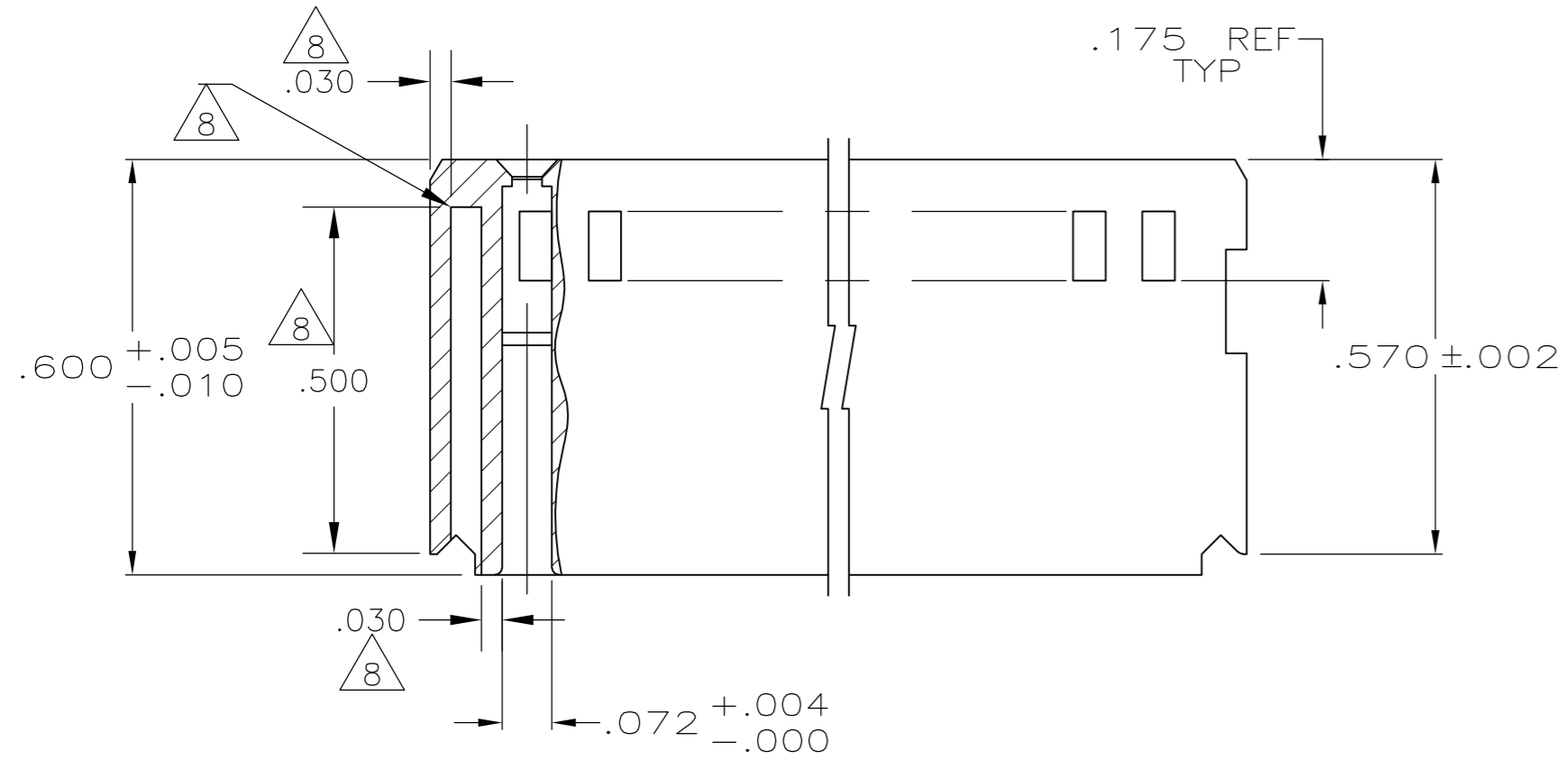
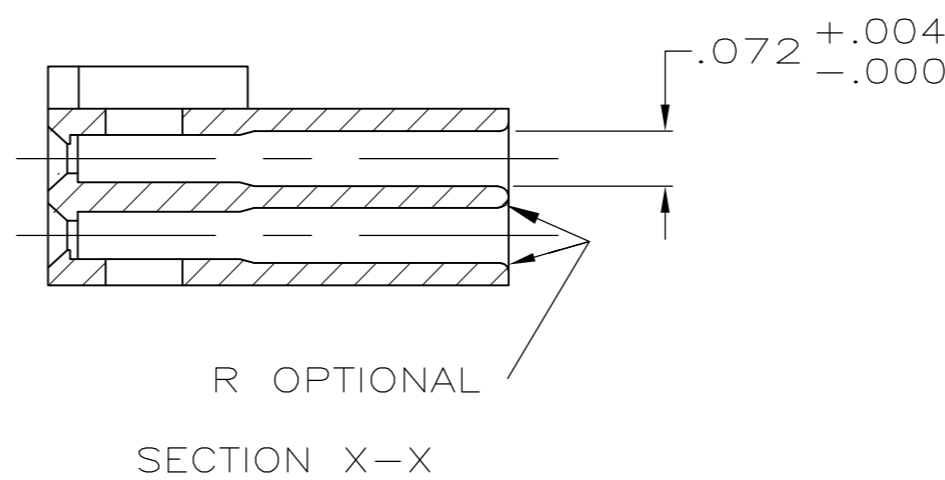
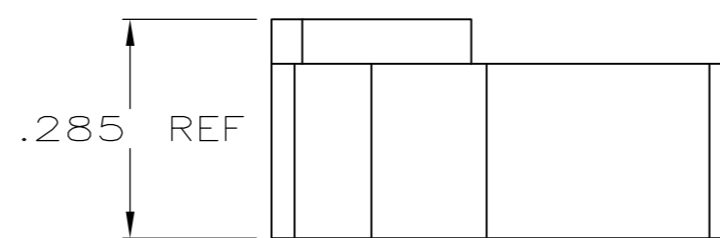
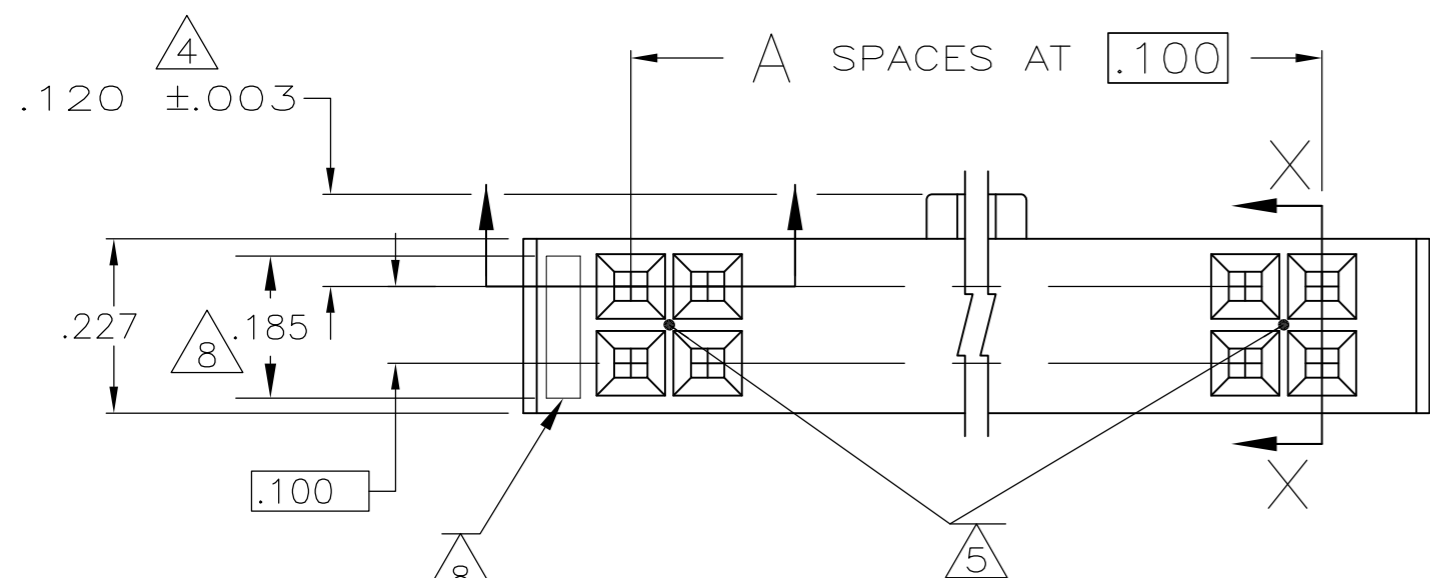


THIS DRAWING IS UNPUBLISHED. RELEASED FOR PUBLICATION
 © COPYRIGHT - By - ALL RIGHTS RESERVED.

LOC		DIST		REVISIONS			
P	LTR	DESCRIPTION		DATE	DWN	APVD	
AD	39	S2	REVISED PER ECO-11-010839	25MAY11	RK	HMR	



- 1 AMP TRADEMARK (MOLDED IN) .062±.015 HIGH CHARACTERS LOCATED APPROX AS SHOWN
- 2 MOLD CAVITY IDENT (MOLDED IN) .046±.015 HIGH CHARACTERS LOCATED APPROX AS SHOWN
- 3 RECESSED AREA AROUND MOLD GATE IS OPTIONAL. THIS FEATURE IS ALLOWABLE ON EITHER SIDE OF HOUSING OR MAY NOT BE PRESENT AT ALL.
- 4 COORDINATE DIMENSION APPLIES FROM CENTER OF FIRST ACTUAL FEATURE
- 5 RECESSED AREA AROUND GATE PERMISSIBLE. THIS FEATURE IS ALONG CENTERLINE OF MATING FACE.
- 6. WHEN MATING WITH AMP-LATCH UNIVERSAL HEADERS, P/N 1825851-1 MUST BE USED. PURCHASE SEPARATELY WITH HEADER- 2 REQUIRED.
- 7 OBSOLETE PARTS: OBSOLETE CIS STREAMLINING PER D.RENAUD/D.SINISI
- 8 VOID CORING IS OPTIONAL, AT MOLDER'S DISCRETION.



SIZE	CAGE CODE	DRAWING NO	RESTRICTED TO
7	00779	C=102387	-

C	B	A	NO. OF POSN	PART NO.
.575	1.280	10	22	4-102387-5
.225	.580	3	8	1-102387-4
1.125	2.380	21	44	1-102387-3
1.625	3.380	31	64	1-102387-2
1.525	3.180	29	60	1-102387-1
1.275	2.680	24	50	1-102387-0
1.025	2.180	19	40	102387-9
.875	1.880	16	34	102387-8
.775	1.680	14	30	102387-7
.675	1.480	12	26	102387-6
.625	1.380	11	24	102387-5
.525	1.180	9	20	102387-4
.425	.980	7	16	102387-3
.375	.880	6	14	102387-2
.275	.680	4	10	102387-1

THIS DRAWING IS A CONTROLLED DOCUMENT.		DWN B MOYER 5-17-89			
DIMENSIONS: INCHES		CHK K. HELM 6-13-89			
TOLERANCES UNLESS OTHERWISE SPECIFIED:		APVD -	NAME		
0 PLC ± - 1 PLC ± - 2 PLC ± - 3 PLC ± .005 4 PLC ± - ANGLES ± - FINISH -		PRODUCT SPEC -	HOUSING, CRIMP SNAP-IN, SHORT ENTRY, MOD IV		
MATERIAL FLAME RETARDANT THERMOPLASTIC COLOR: BLACK PER ASTM D4066		APPLICATION SPEC -	SIZE A2	CAGE CODE 00779	DRAWING NO C=102387
		WEIGHT -	SCALE 4:1	SHEET 1 of 1	REV S2