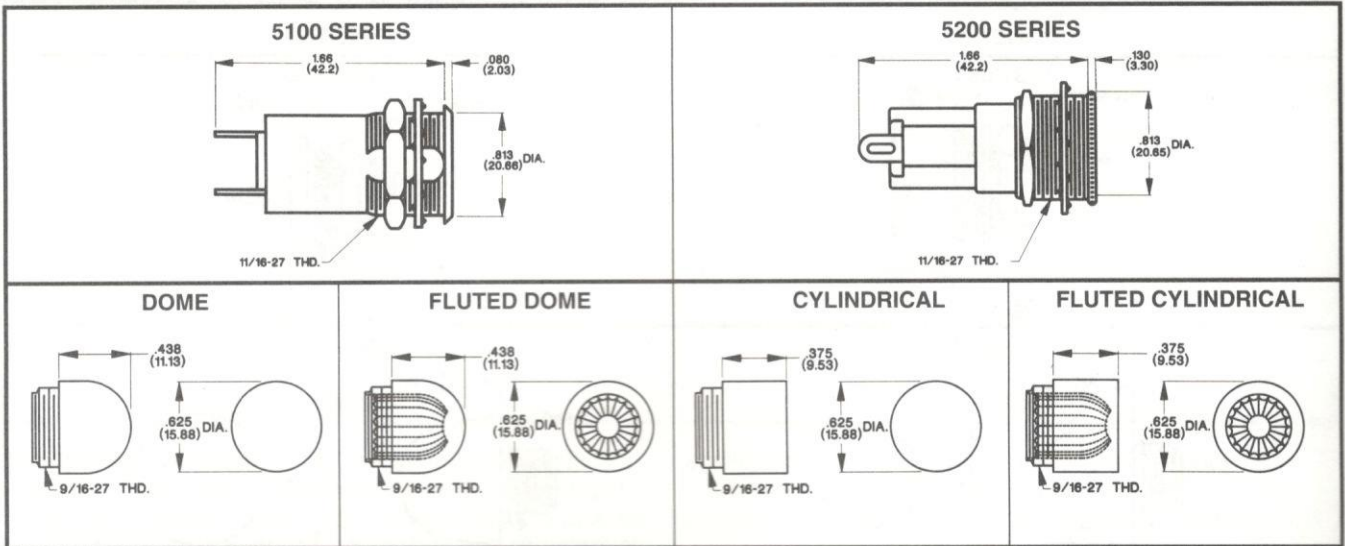




Miniature Relampable Indicator Lights

DESCRIPTION AND FEATURES



The Chicago Miniature Lamp Miniature Indicator Lights are versatile, industry standard, front panel indicators capable of accepting a variety of T-2 and T-3 1/4 miniature bayonet based incandescent and neon lamps. Available in the deluxe 5200 Series and the very cost efficient 5100 Series.

These indicator lights accept a variety of different lens styles and colors, and are excellent for providing a large, bright, easily noticed status indicator. The lamp is not included with this indicator light; please order the required lamp separately.

SPECIFICATIONS

| | |
|---------------------------------|--|
| Mounting Hole: | .688 (17.5 mm) |
| Mounting Centers: | .969 (24.6 mm) |
| Maximum Panel Thickness: | .406 (10.3 mm) |
| Housing/Lens Material: | 5100 Series - Glass Filled Polyester 5200 Series - Phenolic |
| Bezel : | (5100 Series only): Stainless Steel |
| Mounting Bushing/Bezel : | (5200 Series only): Chrome Plated Brass |
| Hex Nut: | Zinc Plated Steel |
| Lockwasher: | Chromate Treated Steel |
| Lenses: | High Temperature Lexan |
| Approvals: | U.L. Listed, CSA Certified (Except Q.C. Terminal versions) |
| Electrical Rating: | Up to 250 Volts, up to 2 Watts (contact factory for specific product rating) |

| Part Numbers | Description |
|--------------|---|
| 5100-822 | Solder Lug Terminals, No Resistor |
| 5100-823 | Screw Type Terminals, No Resistor |
| 5100-824 | .250 (6.35 mm) Q.C. Terminals, No Resistor |
| 5100-832 | Solder Lug Terminals, Built-In 25K Ohm Resistor |
| 5100-834 | .250 (6.35 mm) Q.C. Terminals, Built-In 25K Ohm Resistor |
| 5100-842 | Solder Lug Terminals, Built-In 100K Ohm Resistor |
| 5100-844 | .250 (6.35 mm) Q.C. Terminals, Built-In 100K Ohm Resistor |
| 5200-222 | Solder Lug Terminals, No Resistor |
| 5200-232 | Solder Lug Terminals, Built-In 22K Ohm Resistor |
| 5200-242 | Solder Lug Terminals, Built-In 100K Ohm Resistor |

| Lens Part Numbers | Description |
|-------------------|--------------------------------|
| 25P-306* | Transparent Dome |
| 25P-307** | Translucent Dome |
| 25P-326* | Transparent Fluted Dome |
| 25P-606* | Transparent Cylindrical |
| 25P-607** | Translucent Cylindrical |
| 25P-626* | Transparent Fluted Cylindrical |

(*) R = Red, A = Amber, G = Green, C = Clear
 (**) R = Red, Y = Yellow, G = Green, W = White