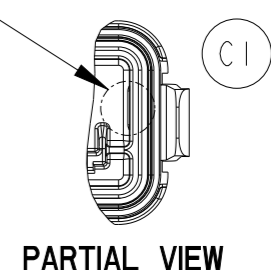
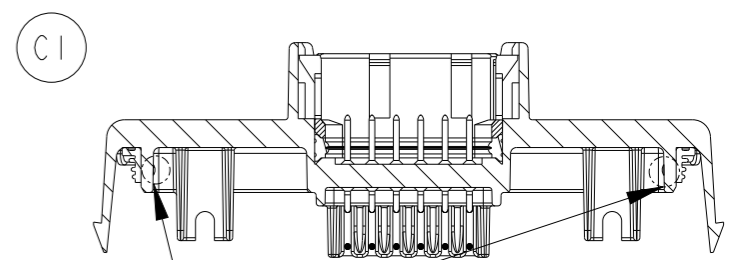
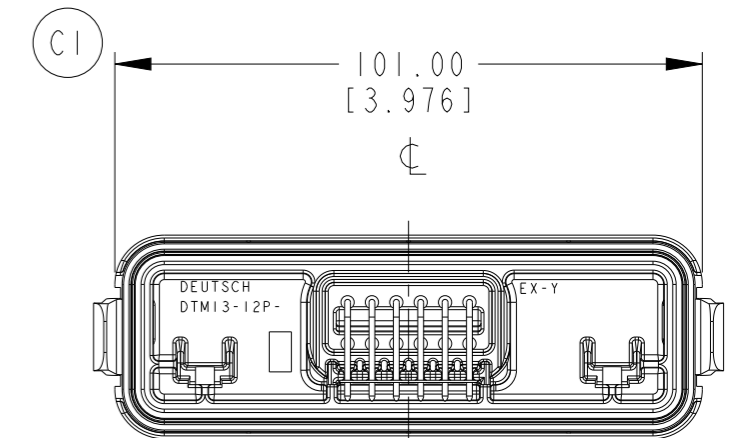
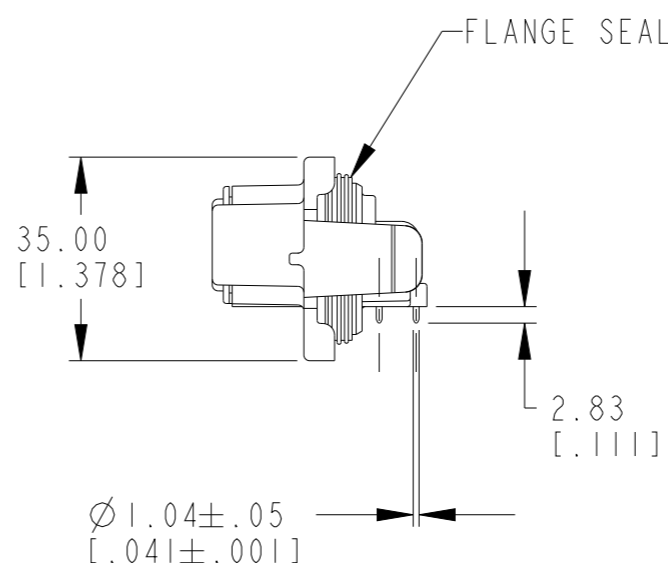
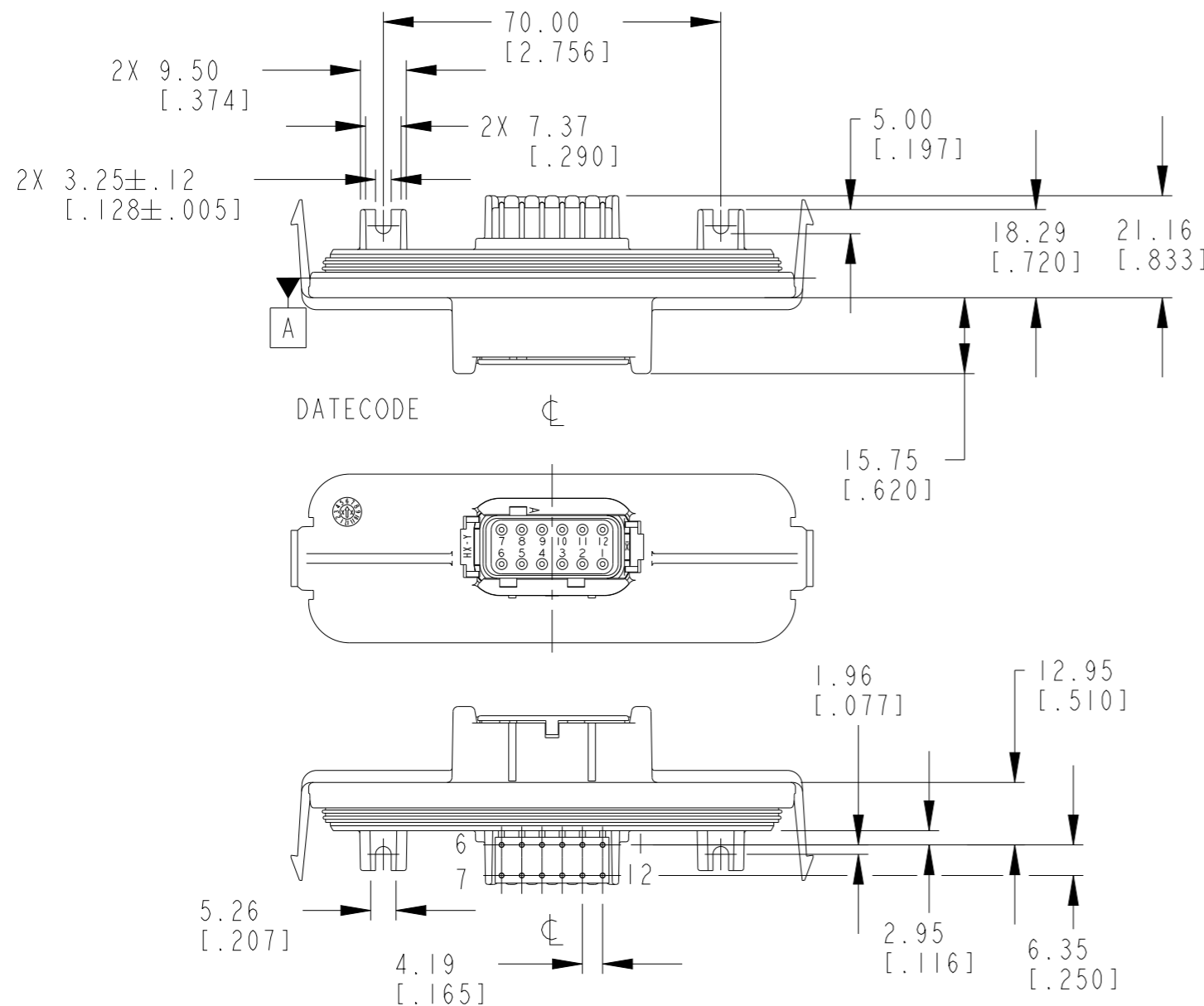


P	LTR	DESCRIPTION	DATE	DWN	APVD
	CI	PCN-22-156615	21AUG2023	GB	IG



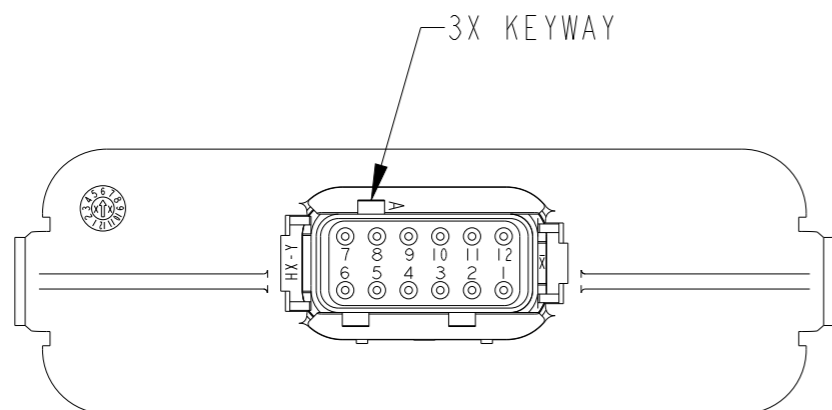
7. SEE SHEET 2 FOR OTHER KEY ARRANGEMENTS.
6. THIS RECEPTACLE IS USED WITH EEC-325X4(A OR B) ENCLOSURE. SEE ENVELOPE DRAWING EEC-325X4A/EEC-325X4B FOR ENCLOSURE INFORMATION.
5. THIS RECEPTACLE MATES WITH DTM06-12S\*-\*\*\*\* PLUG. (\* = A,B,C,D KEYS; \*\*\*\* = ALL MODIFICATIONS).
4. MATERIAL - PLASTIC (BLACK); SEALS: RUBBER.
3. CONTACT PLATING - MATING SIDE: NICKEL; PCB SIDE: TIN.
2. DIMENSION TOLERANCE: ±.64 [.025].
1. DIMENSIONS ARE IN MILLIMETERS [IN].

UNLESS OTHERWISE SPECIFIED

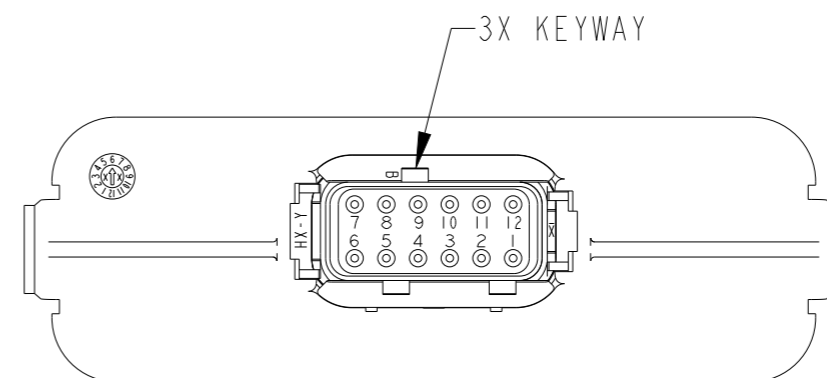
THIS DRAWING IS A CONTROLLED DOCUMENT.		DWN	J. APOSTOL	19APR2001		TE Connectivity			
DIMENSIONS: INCHES		CHK	B. BAYFORD	07NOV2011		NAME RECEPTACLE 12 #20 SIZE CONTACT KEY ARRANGEMENT A, B, C, D -R008 MOD			
		APVD	-	07NOV2011		SIZE	CAGE CODE	DRAWING NO	RESTRICTED TO
TOLERANCES UNLESS OTHERWISE SPECIFIED:		PRODUCT SPEC	-			A3	00779	©=dtm13-12px-r008-env.drw	
0 PLC ±. 1 PLC ±0.1 2 PLC ±0.01 3 PLC ±0.001 4 PLC ±0.0001 ANGLES ±.		APPLICATION SPEC	-			SCALE	1:1.3	SHEET	1 OF 2
MATERIAL TBD		WEIGHT	-			CUSTOMER DRAWING		REV	CI
FINISH -		finish_spec_2							

REVISIONS

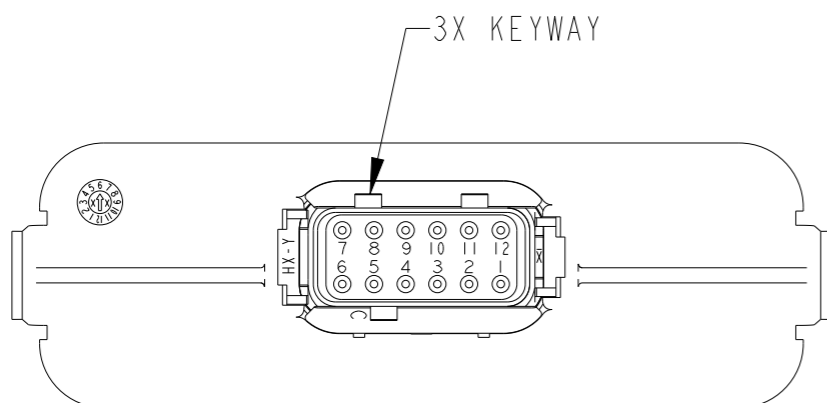
P	LTR	DESCRIPTION	DATE	DWN	APVD
	-	SEE SHEET 1	-	-	-



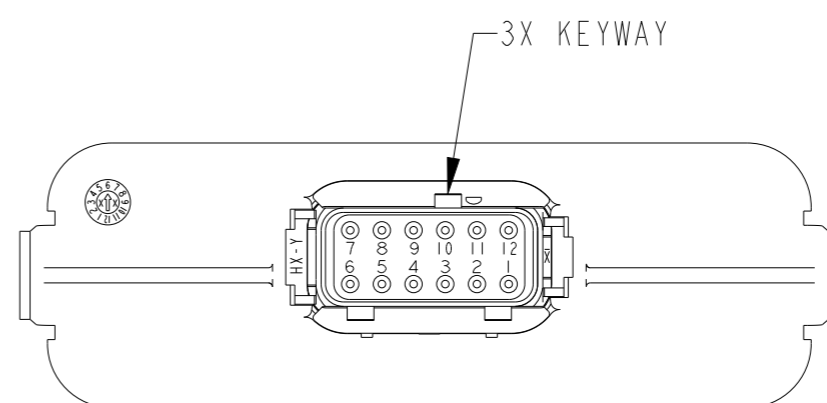
**DTM13-12PA-R008**  
**KEY -A-**  
**SLEEVE COLOR: GREY**



**DTM13-12PB-R008**  
**KEY -B-**  
**SLEEVE COLOR: BLACK**



**DTM13-12PC-R008**  
**KEY -C-**  
**SLEEVE COLOR: GREEN**



**DTM13-12PD-R008**  
**KEY -D-**  
**SLEEVE COLOR: BROWN**

THIS DRAWING IS A CONTROLLED DOCUMENT.		DWN J. APOSTOL 19APR2001														
DIMENSIONS: INCHES		CHK B. BAYFORD 07NOV2011														
TOLERANCES UNLESS OTHERWISE SPECIFIED:		APVD - 07NOV2011	NAME RECEPTACLE 12 #20 SIZE CONTACT KEY ARRANGEMENT A, B, C, D -R008 MOD													
<table border="0"> <tr><td>0 PLC</td><td>±</td></tr> <tr><td>1 PLC</td><td>±0.1</td></tr> <tr><td>2 PLC</td><td>±0.01</td></tr> <tr><td>3 PLC</td><td>±0.001</td></tr> <tr><td>4 PLC</td><td>±0.0001</td></tr> <tr><td>ANGLES</td><td>±</td></tr> </table>		0 PLC	±	1 PLC	±0.1	2 PLC	±0.01	3 PLC	±0.001	4 PLC	±0.0001	ANGLES	±	PRODUCT SPEC -	SIZE A3	
0 PLC	±															
1 PLC	±0.1															
2 PLC	±0.01															
3 PLC	±0.001															
4 PLC	±0.0001															
ANGLES	±															
MATERIAL TBD		APPLICATION SPEC -	CAGE CODE 00779	DRAWING NO G-dtm13-12px-r008-env.drw												
FINISH - finish_spec_2		WEIGHT -	RESTRICTED TO													
CUSTOMER DRAWING			SCALE 1:1.383	SHEET 2 OF 2												
			REV C1													