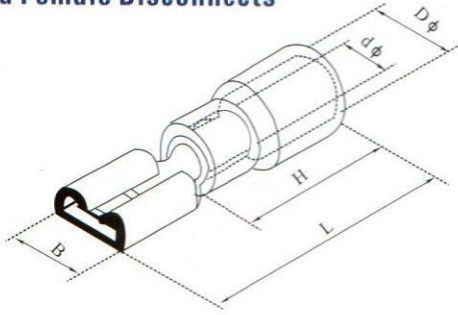


Insulated Female Disconnects

母预绝缘端头

Insulated Female Disconnects



导线截面:0.5~1.5mm²(22~16) 最大电流:Imax=10A

| 编号 Item No. | Mema Tab (mm) | 材料厚度 Thickness of material (mm) | 尺寸 Dimension | | | | |
|----------------|------------------|---------------------------------------|--------------|-------------|-------------|-----------|-----------|
| | | | B (mm) | d φ (mm) | D φ (mm) | L (mm) | H (mm) |
| FDD1.25-110(5) | 0.5×2.8 | 0.3 | 3.8 | 1.70 | 3.80 | 19.0 | 10.0 |
| FDD1.25-110(8) | 0.8×2.8 | 0.3 | 3.8 | 1.70 | 3.80 | 19.0 | |
| FDD1.25-187(5) | 0.5×4.75 | 0.35 | 5.6 | 1.70 | 3.80 | 19.0 | |
| FDD1.25-187(8) | 0.8×4.75 | 0.35 | 5.6 | 1.70 | 3.80 | 19.0 | |
| FDD1.25-205 | 0.5×5.2 | 0.35 | 6.5 | 1.70 | 380 | 20.0 | |
| FDD1.25-250 | 0.8×6.35 | 0.4 | 7.4 | 1.70 | 3.80 | 21.0 | |

导线截面:1.5-2.5mm²(16~14) 最大电流:Imax=15A

| 编号 Item No. | Mema Tab (mm) | 材料厚度 Thickness of material (mm) | 尺寸 Dimension | | | | |
|----------------|------------------|---------------------------------------|--------------|-------------|-------------|-----------|-----------|
| | | | B (mm) | d φ (mm) | D φ (mm) | L (mm) | H (mm) |
| FDD2-110(5) | 0.5×2.8 | 0.3 | 3.8 | 2.3 | 4.3 | 19.0 | 10.0 |
| FDD2-110(8) | 0.8×2.8 | 0.3 | 3.8 | 2.3 | 4.3 | 19.0 | |
| FDD2-187(5) | 0.5×4.75 | 0.35 | 5.6 | 2.3 | 4.3 | 19.0 | |
| FDD2-187(8) | 0.8×4.75 | 0.35 | 5.6 | 2.3 | 4.3 | 19.0 | |
| FDD2-205 | 0.5×5.2 | 0.35 | 6.5 | 2.3 | 4.3 | 20.0 | |
| FDD2-250 | 0.8×6.35 | 0.4 | 7.4 | 2.3 | 4.3 | 21.0 | |
| FDD2-312 | 0.8×8.0 | 0.4 | 9.0 | 2.3 | 4.3 | 23.0 | |

导线截面:4~6mm²(12~10) 最大电流:Imax=24A

| 编号 Item No. | Mema Tab (mm) | 材料厚度 Thickness of material (mm) | 尺寸 Dimension | | | | |
|----------------|------------------|---------------------------------------|--------------|-------------|-------------|-----------|-----------|
| | | | B (mm) | d φ (mm) | D φ (mm) | L (mm) | H (mm) |
| FDD5.5-250 | 0.5×6.35 | 0.4 | 7.4 | 3.4 | 5.7 | 25.0 | 14.0 |
| FDD5.5-375 | 1.2×9.4 | 0.5 | 10.9 | 3.4 | 5.7 | 29.6 | |

孔带
固定孔带
孔带套
不

预绝缘端头