

Description

The Metal DC Contactor has been completely retooled to provide dimensional consistency and electrical performance. When consistent quality and performance are required, this metal has the mettle to come through. The applications may vary, but the performance never does. Designed to fit a variety of high current switching and pole configurations, Trombetta Metal DC Contactors can be used in a variety of applications, ranging from military vehicles to hydraulic controls, from golf cars to stationary equipment.

Specifications

Coil Terminals	1 or 2 : 10-32 Stud(s)
Contact Studs	5/16-24 Studs Standard & Long (See drawing)
Mounting Bracket	Flat or Curved, open or closed slots
Standard Operating Temperature Range	-40°C to 60°C
Contact Terminal Torque	35 lbs
Coil Terminal Torque	15 lbs

Coils

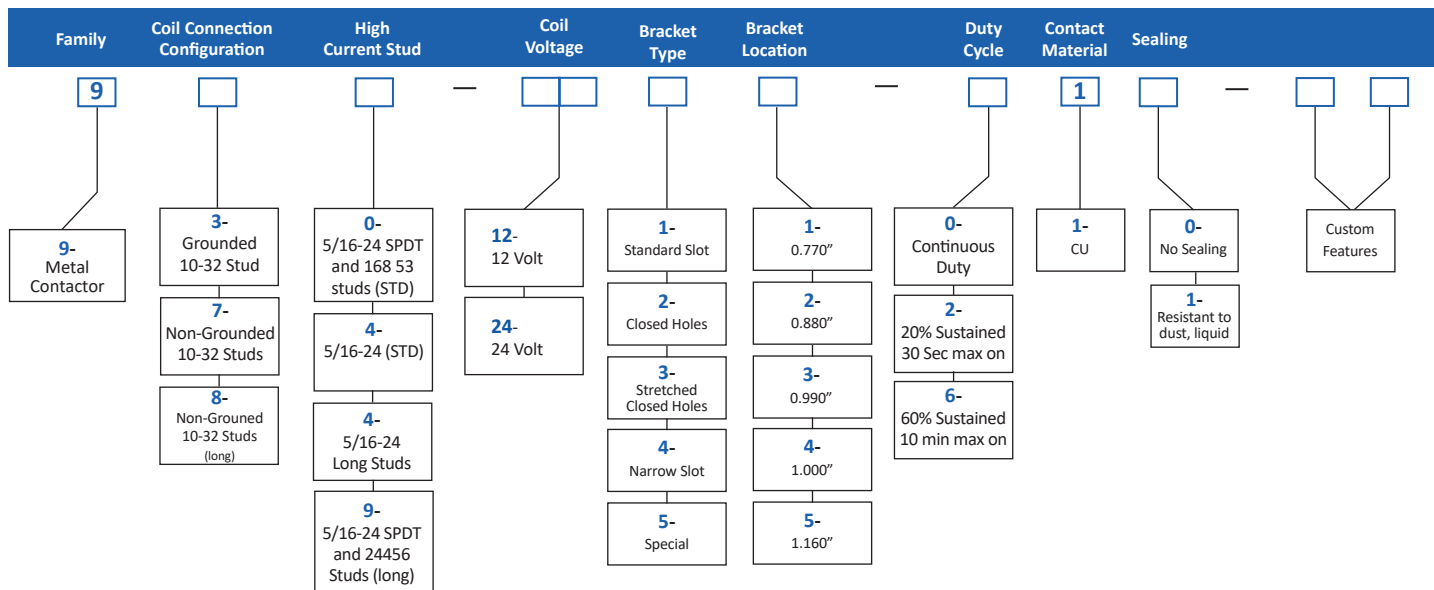
Model	Max Sustained Duty Cycle	Max On Time	Pull in Voltage	Hold Voltage	Coil Resist Ohms
12V Intermit.	20%	30 Seconds	5.5	2.0	3.6
12V Intermit.	60%	10 Minutes	6.0	2.3	7.1
12V Cont.	100%	Cont.	7.0	2.5	14.4
24V Intermit.	20%	30 Seconds	11.0	4.0	14.4
24V Intermit.	60%	10 minutes	12.0	4.6	28.4
24V Cont.	100%	Cont.	15.0	5.0	57.0
36V Intermit.	60%	10 minutes	19.0	7.0	64.0
36V Cont.	100%	Cont.	25.0	8.0	130.0

Contact

Resistive Load Carry/Interrupt Capability (Amps) ³	Inductive Load Carry/Interrupt Capability (Amps) ³	Peak Inductive Inrush Capability (Amps) ⁴	Electrical Cycle Life	Contact Material
300/300	300/300	700	50,000	Copper
250/300	250/300	700	50,000	Copper
125/250	125/250	600	50,000	Copper
300/300	300/300	600	50,000	Copper
200/200	200/200	600	50,000	Copper
125/200	125/200	500	50,000	Copper
125/200	125/200	500	25,000	Copper
125/125	125/125	500	25,000	Copper

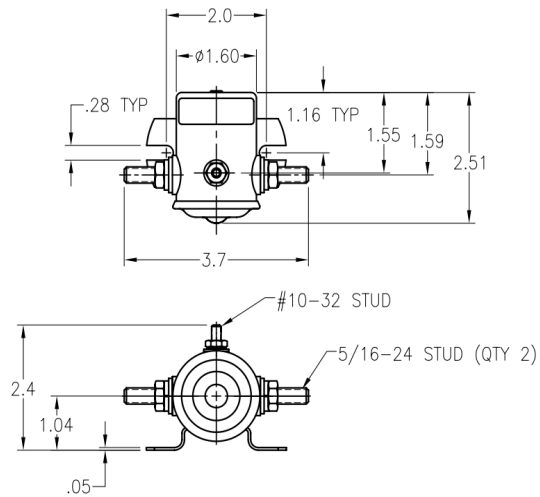
Ordering Information

Enter Part Number Below- Some configurations are not available. Contact your Trombetta Sales Rep before ordering.



Product Dimensions

936 Series Contactor



974 Series Contactor

